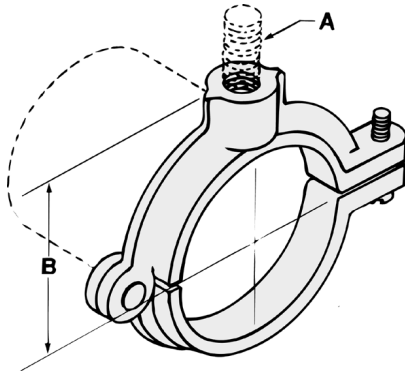




# SPLIT RING HANGERS

**Fig. 508R  
HINGED EXTENSION  
SPLIT CLAMP**

**Fig. 508R BOLT THREAD**



**FUNCTION:** Designed for non-insulated stationary pipe lines in either a horizontal or vertical position. The hinged design allows for a quick installation.

**APPROVALS:** Complies with Federal Specifications A-A-1192A (Type 12) and Manufacturers' Standardization Society ANSI/SP-69 and SP-58 (Type 12).

**MATERIAL:** Malleable iron

**FINISH:** Plain or Electro-galvanized

**ORDERING:** Specify pipe size, finish and figure number.

| Pipe Size      |       | A<br>Bolt Thread | B                |         | Max. Rec. Load |        | Wt. Each |       |
|----------------|-------|------------------|------------------|---------|----------------|--------|----------|-------|
|                |       |                  |                  |         | lbs.           | kN     | lbs.     | kg    |
| $\frac{3}{8}$  | (10)  | $\frac{3}{8}$    | $\frac{13}{16}$  | (20.64) | 180            | (0.80) | .13      | (.06) |
| $\frac{1}{2}$  | (15)  | $\frac{3}{8}$    | $\frac{7}{8}$    | (22.23) | 180            | (0.80) | .14      | (.06) |
| $\frac{3}{4}$  | (20)  | $\frac{3}{8}$    | 1                | (25.40) | 180            | (0.80) | .16      | (.07) |
| 1              | (25)  | $\frac{3}{8}$    | $1\frac{1}{8}$   | (28.58) | 180            | (0.80) | .18      | (.08) |
| $1\frac{1}{4}$ | (32)  | $\frac{3}{8}$    | $1\frac{5}{16}$  | (33.34) | 180            | (0.80) | .22      | (.10) |
| $1\frac{1}{2}$ | (40)  | $\frac{3}{8}$    | $1\frac{7}{16}$  | (36.51) | 180            | (0.80) | .38      | (.17) |
| 2              | (50)  | $\frac{3}{8}$    | $1\frac{11}{16}$ | (42.86) | 180            | (0.80) | .44      | (.20) |
| $2\frac{1}{2}$ | (65)  | $\frac{1}{2}$    | $2\frac{1}{8}$   | (53.98) | 300            | (1.33) | .45      | (.20) |
| 3              | (80)  | $\frac{1}{2}$    | $2\frac{7}{16}$  | (61.91) | 300            | (1.33) | .55      | (.25) |
| 4              | (100) | $\frac{1}{2}$    | 3                | (76.20) | 300            | (1.33) | .95      | (.43) |

Unless otherwise specified, all dimensions on drawings and in charts are in inches and dimensions shown in parentheses are in millimeters.