

# SPLIT RING HANGERS



**FUNCTION:** Designed for non-insulated stationary tubing lines in either a horizontal or vertical position. The hinged design of Fig. 512H allows for a quicker installation.

**APPROVALS:** Complies with Federal Specification A-A-1192A (Type 12) and Manufacturers' Standardization Society ANSI/SP-69 and SP-58 (Type 12).

**MATERIAL:** Malleable iron

**FINISH:** Copper color epoxy finish

**ORDERING:** Specify tube size and figure number.

## Fig. 512 & 512H COPPER TUBING EXTENSION SPLIT CLAMP

**Fig. 512** TWO PIECE DESIGN

**Fig. 512H** HINGED DESIGN

Tube Size		Rod Size A B		Max. Rec. Load		Wt. Each			
						512		512H	
						lbs.	kg	lbs.	kg
<sup>3</sup> / <sub>8</sub>	(10)	<sup>3</sup> / <sub>8</sub>	<sup>9</sup> / <sub>16</sub> (14.29)	180	(0.80)	.07	(.03)	.08	(.04)
<sup>1</sup> / <sub>2</sub>	(15)	<sup>3</sup> / <sub>8</sub>	<sup>11</sup> / <sub>16</sub> (17.46)	180	(0.80)	.09	(.04)	.09	(.04)
<sup>3</sup> / <sub>4</sub>	(20)	<sup>3</sup> / <sub>8</sub>	<sup>7</sup> / <sub>8</sub> (22.23)	180	(0.80)	.09	(.04)	.12	(.05)
1	(25)	<sup>3</sup> / <sub>8</sub>	1 (25.40)	180	(0.80)	.10	(.05)	.11	(.05)
<sup>1</sup> / <sub>4</sub>	(32)	<sup>3</sup> / <sub>8</sub>	<sup>1</sup> / <sub>8</sub> (28.58)	180	(0.80)	.12	(.05)	.15	(.07)
<sup>1</sup> / <sub>2</sub>	(40)	<sup>3</sup> / <sub>8</sub>	<sup>1</sup> / <sub>8</sub> <sup>5</sup> / <sub>16</sub> (33.34)	180	(0.80)	.13	(.06)	.20	(.09)
2	(50)	<sup>3</sup> / <sub>8</sub>	<sup>1</sup> / <sub>2</sub> (38.10)	180	(0.80)	.18	(.08)	.25	(.11)
<sup>2</sup> / <sub>2</sub>	(65)	<sup>1</sup> / <sub>2</sub>	<sup>1</sup> / <sub>8</sub> (47.63)	300	(1.33)	.65	(.29)	.45	(.20)
3	(80)	<sup>1</sup> / <sub>2</sub>	<sup>2</sup> / <sub>8</sub> (53.98)	300	(1.33)	1.00	(.45)	.55	(.25)
4	(100)	<sup>1</sup> / <sub>2</sub>	<sup>2</sup> / <sub>4</sub> (69.85)	300	(1.33)	1.40	(.64)	.90	(.41)

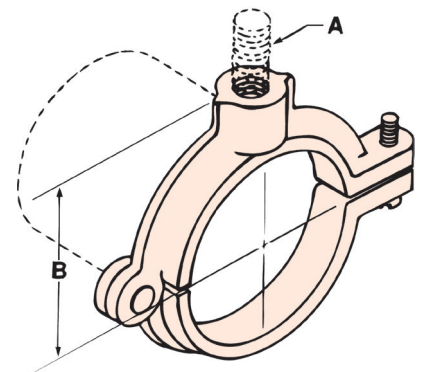


Fig. 512H  
shown

Unless otherwise specified, all dimensions on drawings and in charts are in inches and dimensions shown in parentheses are in millimeters.