

SPLIT RING HANGERS



FUNCTION: Designed for non-insulated stationary tubing lines in either a horizontal or vertical position. The hinged design of Fig. 512H allows for a quicker installation.

APPROVALS: Complies with Federal Specification A-A-1192A (Type 12) and Manufacturers' Standardization Society ANSI/SP-69 and SP-58 (Type 12).

MATERIAL: Malleable iron

FINISH: Copper color epoxy finish

ORDERING: Specify tube size and figure number.

Fig. 512 & 512H COPPER TUBING EXTENSION SPLIT CLAMP

Fig. 512 TWO PIECE DESIGN

Fig. 512H HINGED DESIGN

Tube Size		Rod Size		B		Max. Rec. Load		Wt. Each			
								512		512H	
								lbs.	kg	lbs.	kg
³ / ₈	(10)	³ / ₈	⁹ / ₁₆	(14.29)	180	(0.80)	.07	(.03)	.08	(.04)	
¹ / ₂	(15)	³ / ₈	¹¹ / ₁₆	(17.46)	180	(0.80)	.09	(.04)	.09	(.04)	
³ / ₄	(20)	³ / ₈	⁷ / ₈	(22.23)	180	(0.80)	.09	(.04)	.12	(.05)	
1	(25)	³ / ₈	1	(25.40)	180	(0.80)	.10	(.05)	.11	(.05)	
¹ / ₄	(32)	³ / ₈	¹ / ₈	(28.58)	180	(0.80)	.12	(.05)	.15	(.07)	
¹ / ₂	(40)	³ / ₈	⁵ / ₁₆	(33.34)	180	(0.80)	.13	(.06)	.20	(.09)	
2	(50)	³ / ₈	¹ / ₂	(38.10)	180	(0.80)	.18	(.08)	.25	(.11)	
² / ₂	(65)	¹ / ₂	⁷ / ₈	(47.63)	300	(1.33)	.65	(.29)	.45	(.20)	
3	(80)	¹ / ₂	² / ₈	(53.98)	300	(1.33)	1.00	(.45)	.55	(.25)	
4	(100)	¹ / ₂	² / ₄	(69.85)	300	(1.33)	1.40	(.64)	.90	(.41)	

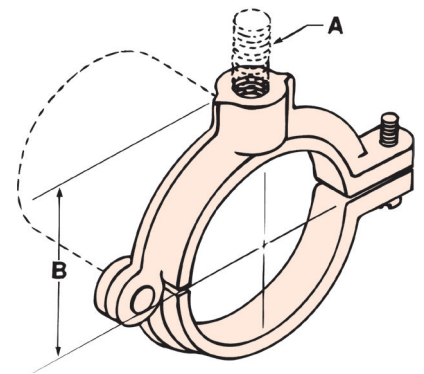


Fig. 512H
shown

Unless otherwise specified, all dimensions on drawings and in charts are in inches and dimensions shown in parentheses are in millimeters.